

FEBCO MASTER SERIES BFP ENCLOSURE

WATER SAFE ®

**SPECIFICATION SHEET for MODELS:
WS-4,6,8,10FM-NRS WS-4,6,8,10FM-OSY**

Physical Properties:

Size of Pipe and BFP Device: 2 1/2", 3", 4", 6", 8", 10"

Construction: Open Bottom With Insulated Walls & Roof

Mounting: Open bottom sits on and is anchored to a concrete base furnished by others.

Temperature Range: -60 Degrees F to 140 Degrees F (ambient temperature)

Materials:

Outside Skin: .050" Mill Finish 5052 H32 Aluminum or
.050" 3105 H14 Aluminum pre-painted with 70% KYNAR/HYLAR based
Fluoropolymer

Insulation: 1.5" Polyisocyanurate with aluminum foil facers, R Value of 12

Adhesive: Silicone base, permanently flexible from -60 Degrees F to 400 Degrees F

Hinge for Drain: 304 Stainless Steel Rivet: 304 Stainless Steel rivet & pin

Panel Fasteners: 304 Stainless Steel hex head screws

Structural Supports: 1/8" Mill Finish 5052 H32 Aluminum

Gasketing: EPDM Elastomer

Concrete Fasteners: AISI 304 Stainless Steel Wedge Anchor
Conforms to ASTM A276
Rating: UTIMATE TENSILE & SHEAR LOADS
1750 lbs. in tension/2000 PSI concrete/2" embedment
2200 lbs. in shear/2000 PSI concrete/2" embedment
ALLOWABLE WORKING LOADS
470 lbs. in tension/2000 PSI concrete/2" embedment
590 lbs. in shear/2000 PSI concrete/2" embedment

Application:

Freeze, vandal and heat protection conforming to ASSE 1060, Classes I & II

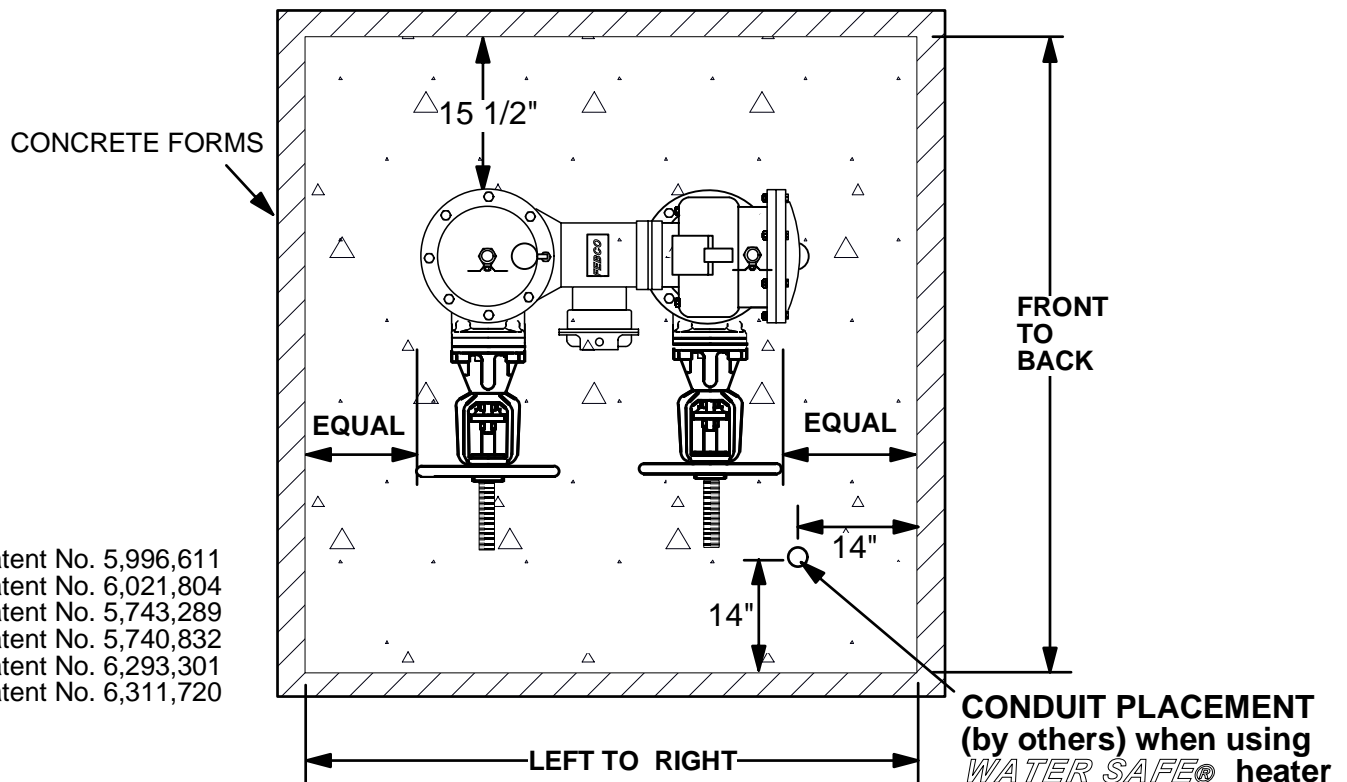


INTERIOR DIMENSIONS FOR FEBCO "N" PATTERN ENCLOSURES

| MODEL NO. | LEFT TO RIGHT | FRONT TO BACK | HEIGHT | SIDE ACCESS | SHIPPING WEIGHTS | CONCRETE BASE SIZE |
|-------------|---------------|---------------|--------|----------------|------------------|--------------------|
| WS-4FM-NRS | 36" | 36" | 45" | 24.25" X 43.5" | 138#'s | 51" X 51" |
| WS-4FM-OSY | 36" | 36" | 45" | 24.25" X 43.5" | 138#'s | 51" X 51" |
| WS-6FM-NRS | 41" | 45" | 50" | 33.25" X 48.5" | 165#'s | 56" X 60" |
| WS-6FM-OSY | 41" | 45" | 50" | 33.25" X 48.5" | 165#'s | 56" X 60" |
| WS-8FM-NRS | 41" | 45" | 57" | 33.25" X 55.5" | 182#'s | 68" X 72" |
| WS-8FM-OSY | 41" | 55" | 57" | 38.5" X 55.5" | 210#'s | 56" X 70" |
| WS-10FM-NRS | 48" | 48" | 57" | 38.5" X 55.5" | 258#'s | 63" X 63" |
| WS-10FM-OSY | 48" | 65" | 57" | 44.75" X 55.5" | 283#'s | 63" X 80" |

The concrete base sizes given above allow approximately 6" around the outside of the enclosure. Check local codes before placing base.

**SIZE IS LEFT TO RIGHT X FRONT TO BACK
MEASURE TO INSIDE OF FORMS**



U.S. Patent No. 5,996,611
 U.S. Patent No. 6,021,804
 U.S. Patent No. 5,743,289
 U.S. Patent No. 5,740,832
 U.S. Patent No. 6,293,301
 U.S. Patent No. 6,311,720