

ROLL TOP™

SPECIFICATION SHEET for MODELS: RT- 4 & RT- 6

Physical Properties:

Size of Pipe and BFP Device: 2 1/2", 3", 4", 6"

Construction: Open Bottom With Insulated Walls & Roof

Mounting: Open bottom sits on and is anchored to a concrete base furnished by others.

Temperature Range: -60 Degrees F to 140 Degrees F (ambient temperature)

Materials:

Outside Skin: .125" Mill Finish 5052 H32 Aluminum

Insulation: 1.5" Polyisocyanurate with aluminum foil facers, R Value of 12

Adhesive: Silicone base, permanently flexible from -60 Degrees F to 400 Degrees F

Hinge for Drain: 304 Stainless Steel

Rivet: 304 Stainless Steel rivet & pin

Structural Supports: Integral with .125" outer skin

Gasketing: EPDM Elastomer

Concrete Fasteners: AISI 304 Stainless Steel Wedge Anchor

Conforms to ASTM A276

Rating: **UTIMATE TENSILE & SHEAR LOADS**

1750 lbs. in tension/2000 PSI concrete/2" embedment

2200 lbs. in shear/2000 PSI concrete/2" embedment

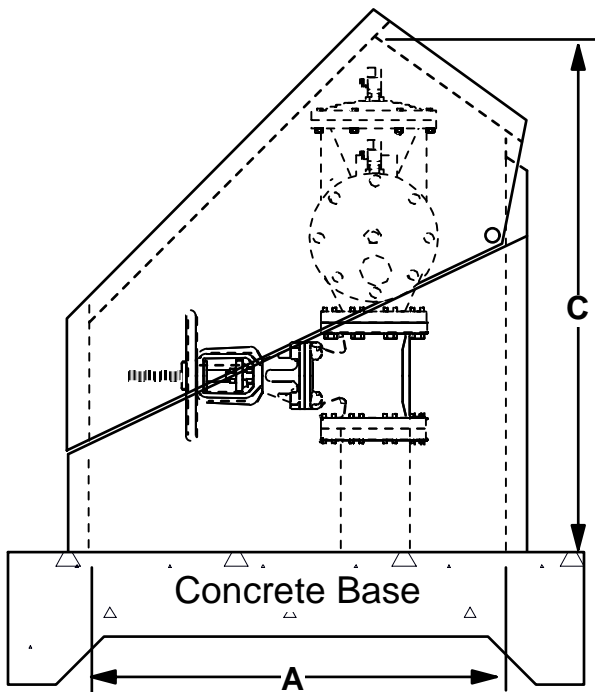
ALLOWABLE WORKING LOADS

470 lbs. in tension/2000 PSI concrete/2" embedment

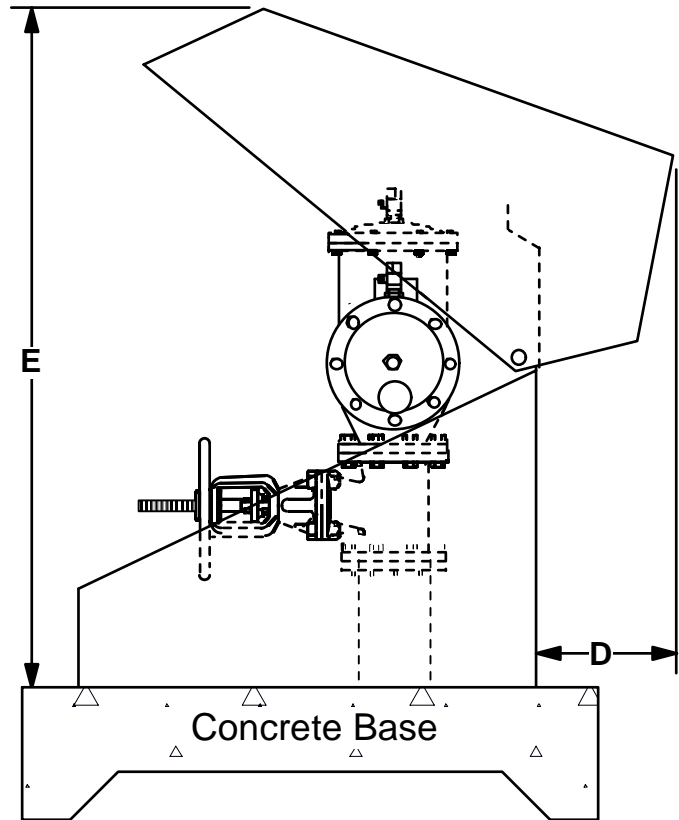
590 lbs. in shear/2000 PSI concrete/2" embedment

Application:

Freeze, vandal and heat protection conforming to ASSE 1060, Classes I & II



**SIDE ELEVATION VIEW:
TOP IN CLOSED POSITION**



**SIDE ELEVATION VIEW:
TOP IN OPEN POSITION**

A - Interior front - back dimension.
 B - Interior left - right dimension.
 C - Interior height.
 D - R.T. shroud to enclosure back in open position.
 E - Height of R.T. shroud in open position.
 Note: Dimensions are nominal. Allowances must be made for normal manufacturing tolerances.

Roll Top™

Enclosures for:
 FEBCO BFP DEVICES: Models 870, 876 & 880 *
 WATTS BFP DEVICES: Models N775 and N775DCDA*
 CONBRACO BFP DEVICES: Models "U" Pattern DC Assemblies*
 WILKINS BFP DEVICES: Models 450 and 475*
 * NRS or OSY Gate Valves

U.S. Patent No. 5,996,611
 U.S. Patent No. 6,021,804
 U.S. Patent No. 5,743,289
 U.S. Patent No. 5,740,832
 U.S. Patent No. 6,293,301
 U.S. Patent No. 6,311,720



Device Size	Model No.	A	B	C	D	E	Concrete Base Size
4"	RT-4	44"	44"	44"	15"	58"	59" x 59" x 6" thick
6"	RT-6	50"	50"	50"	19"	61"	65" x 65" x 6" thick

NOTE : The above recommended concrete base sizes allow approximately 6" around the outside of the enclosure. Check local codes in your area before placing base.