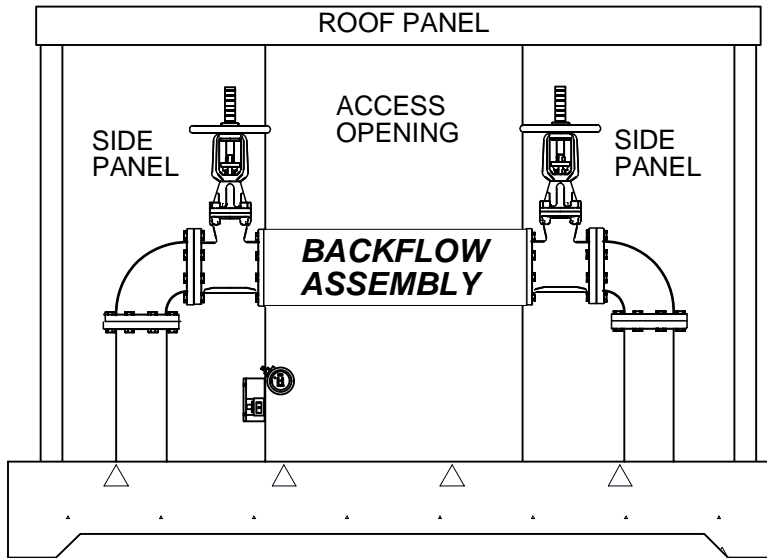
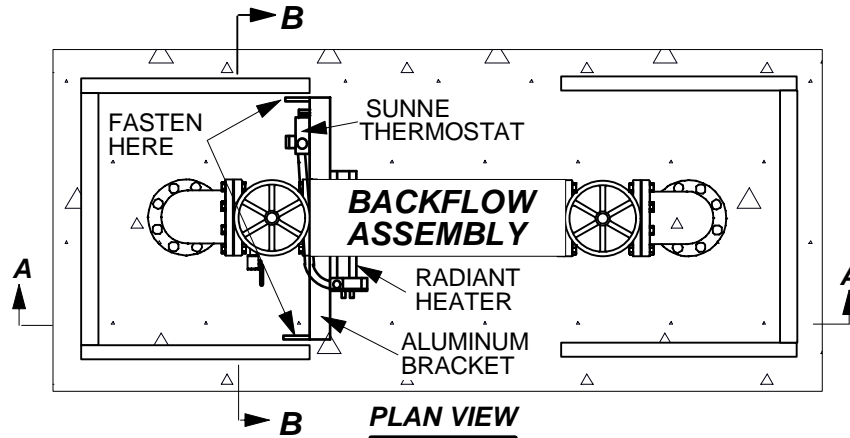
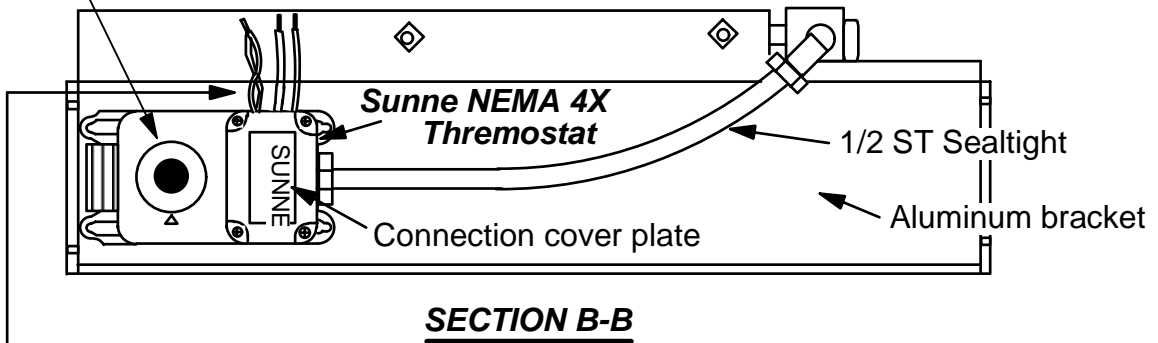


**WATER SAFE® HEATING SYSTEM
FOR INLINE ENCLOSURES REQUIRING A SINGLE HEATER SYSTEM**



FACTORY TESTED
AND SET @ 40F.



Field Connection Here : CONNECT TO WHITE & BLACK STRIPPED LEADS (Line voltage) & GREEN GROUND STRIPPED LEADS ONLY!!!

INSTALLATION MUST MEET ALL LOCAL AND NATIONAL CODES !!!

Heat system (checked below) that is furnished for this enclosure. NOTE: Heater and Thermostat prewired and assembled to bracket.

<input type="checkbox"/>	RH-2-A	120 Volt	800 Watt	Single Phase	6.7 Amps
<input type="checkbox"/>	RH-2-C	240 Volt	800 Watt	Single Phase	3.3 Amps
<input type="checkbox"/>	RH-3-A	120 Volt	1100 Watt	Single Phase	9.2 Amps
<input type="checkbox"/>	RH-3-C	240 Volt	1100 Watt	Single Phase	4.6 Amps
<input type="checkbox"/>	RH-4-A	120 Volt	1800 Watt	Single Phase	15 Amps
<input type="checkbox"/>	RH-4-C	240 Volt	1800 Watt	Single Phase	7.5 Amps